

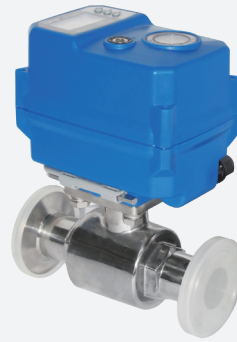
Sanitary 2-Way Ball Valve Features

- Adopting circular arrow mark, the pointer can indicate valve position accurately.
- Valve ball aperture ensure maximum flow capacity
- Compact size suits for small equipment

Applications

- Environmental protection, low emissions, water supply and drainage, water treatment engineering
- Intelligent water control equipment, water-saving system terminals

Certification: CE, ISO9001, MA, AL

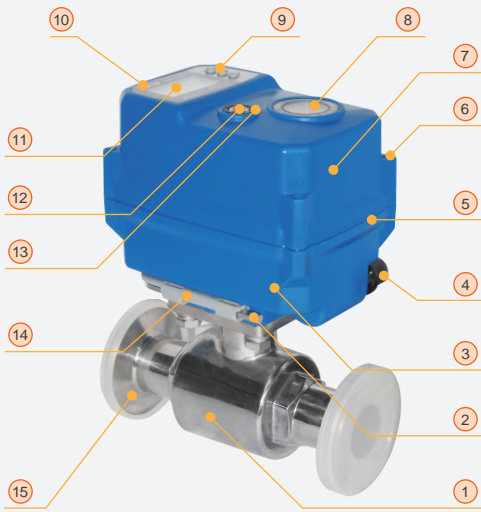


200C smart on/off model



200N normal on/off model

200C Smart Sanitary 2-Way Ball Valve Main Components Diagram

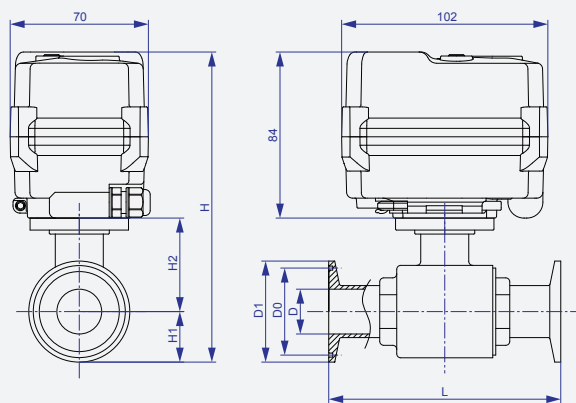


Main Components

No.	Parts	Material	Qty
1	Valve body	304	1
2	Hexagon wrench	Tool steel	1
3	Bottom cover	Heatproof ABS/Casting aluminum	1
4	Cable connectors	Nylon/Nickel-plated brass	1
5	Lid seal	SI	1
6	Screws	304	4
7	Top cover	Heatproof ABS/Casting aluminum	1
8	Indicator	Transparent AS	1
9	Key	Rubber	3
10	Label	PVC	1
11	Screen	OLED	1
12	Manual shaft	304	1
13	Oil seal	NBR	1
14	Wrench fixed	Heatproof ABS	1
15	Valve bonnet	304	1

Normal on/off model no key and 1.3-inch OLED screen.

Dimension [200C, DN20-DN32]



Connection Size (unit: mm)


DN	D	D0	D1	L	H1	H2	H	W(Kg)
20	15.0	43.5	50.5	105	25.25	42.75	152	
25	22.4	43.5	50.5	116	25.25	46.75	156	
32	27.0	43.5	50.5	124	26.50	51.50	162	

Electrical Parameters

Series type	Rated torque @rated voltage	Rated voltage	Available voltage range	Run/static power consumption @rated voltage	Peak current @rated voltage @5ms	External fuse specification	Running time ^{*1} (Per 90°)	Optional control mode	
KLD-200N	15N.m	DC24V	DC22V-28V	36W/0.25W	1.5A	3A	10S@Power up 15S@Power down	KT32 or KT32S	
		AC110V	AC90V-130V	40W/1.6W	90mA	1A			
		AC230V	AC190-250V	40W/1.6W	90mA	1A			
	20N.m	DC12V	DC10-14V	3.5W/0.3W	15W/0.1W	1A	2A	10S	B3 BD3 B3S BD3S
		DC24V	DC22V-28V			1.2A	2A		
		AC24V	AC18V-26V			0.5A	2A		
KLD-500N	50N.m	AC110V	AC90V-130V	60W/1.5W	50W/1W	135mA	10S	B3S BD3S	
		AC230V	AC190-250V			60mA			1A
		DC24V	DC22V-28V			2.5A			5A
		AC24V	AC22V-28V			3A			5A
KLD-1000N	100N.m	DC24V	DC22V-28V	60W/1W	80W/1W	1A	20S	B3S BD3S	
		AC110V	AC90V-130V			0.5A			2A
		AC230V	AC190-250V			0.5A			2A
		DC24V	DC22V-28V			3.5A			5A
KLD-2000N	200N.m	DC24V	DC22V-28V	180W/1W	150W/1W	3.5A	10S	B3S BD3S	
		AC110V	AC90V-130V			1.5A			3A
		AC230V	AC190-250V			0.6A			2A
		DC24V	DC22V-28V			4A			10A
KLD-4000N	400N.m	AC110V	AC90V-130V	240W/1W	200W/1W	2A	30S	B3S BD3S	
		AC230V	AC190-250V			1A			5A
		DC24V	DC22V-28V			5A			10A
		AC110V	AC90V-130V			2.5A			
		AC230V	AC190-250V			2A			

* Since the running time is affected by the valve body, it is considered to be qualified within ± 3s.

Function Parameters

The valve ball rotation Angel	90°
Protection grade	IP67 or F Type
Manual function	Standard (Manual override is only permitted to be used when power is cut)
Indicator	

Working Conditions

Ambient temperature	-20 —60
Ambient humidity	Relative humidity ≤85% ---- Suitable for IP67
	Relative humidity > 85% ---- Suitable for F Type
Medium temperature	0-100
Medium pressure	≤1.6MPa

It needs to use high-temperature bracket if working medium temperature is over 100 .